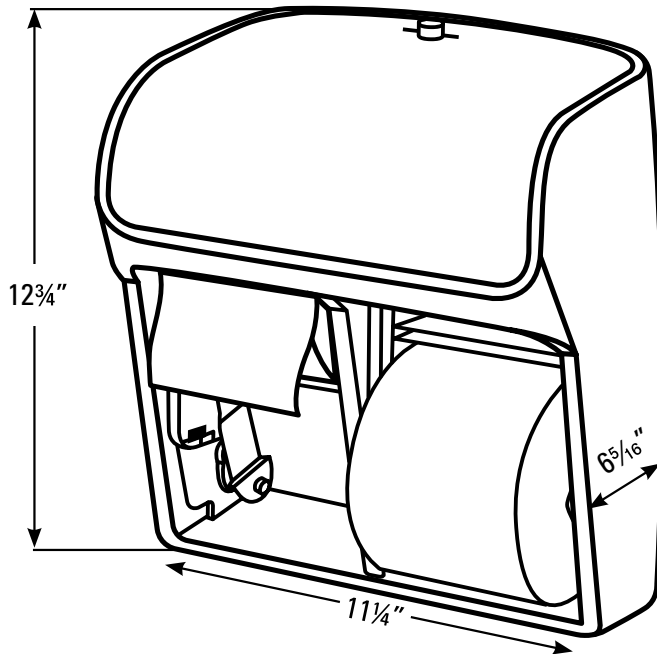


Scott® Pro High Capacity Standard Roll Bathroom Tissue Dispenser



- Made of durable plastic that holds four tissue rolls in a side by side configuration.
- Designed to deliver an exceptional experience as well as provide consumption control in locations such as office buildings and high traffic facilities.
- The dispenser is manually operated and opens using either the keyless push button option or the included key. The rolls are placed on two tissue roll holders known as "H" mandrels that are designed specifically for the coreless and small core tissue.
- The rolls are placed on each end of the "H" mandrels and with the door closed the four tissue rolls are visible in the dispenser and easily accessible through the front with no need to open the dispenser to access another roll. An easy shift in the "H" mandrel allows access to the next roll.

Product Codes:

44517

White

44518

Black

44519

Faux Stainless

Suggested mounting height is 30" above the floor.*

When installed properly and used with corresponding product, this dispenser meets ADA Standard 28 CFR Part 36, local rules may vary.